

Memorial Tree Plaque with Plaque Stand

ITEM 1 CAST PLAQUE

- Material: Bronze
- Style: 530 Raised Border
- Mounting: Cast Integral Bosses / Flush / (x4) #10-24 Threaded Holes

THREAD / HOLE LOCATIONS CRITICAL

- Font: Myriad Pro Light
- Edges: Brushed
- Qty: 1

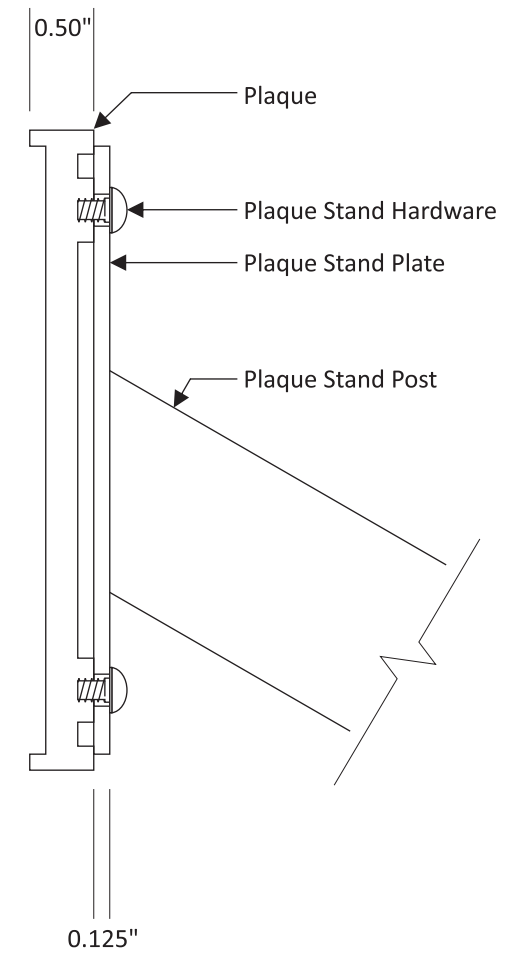
ITEM 2 PLAQUE STAND HARDWARE

- Button Head Socket Security Screws
- #10-24 UNC x 1/4" long, 18-8 Stainless Steel
- Mount Flush to Plaque
- Qty: 4



- RAISED & HORIZONTAL BRUSHED FINISH (BORDER, TEXT & LOGO)
- RECESSED: TEXTURED (LPT04) BACKGROUND / PAINTED 0070 HERITAGE BROWN

SIDE SECTION VIEW



Signage Elevation & Section

SCALE 1:1.5



2207-91 Avenue NW
Edmonton, Alberta T6P 1L1
P. 780-464-5177 F. 780-467-6516
www.behrendsgroup.com

© BEHRENDS BRONZE INC. These drawings involve confidential proprietary rights of Behrends Bronze Inc. and all design, manufacturing, reproductions, use and sale rights regarding the same are expressly reserved. These drawings are submitted under confidentiality for a specified purpose and the recipient. By accepting this document, the recipient assumes custody and agrees (a) that this document will not be copied or reproduced in whole or in part, nor its contents revealed, in any manner, or to any person, except to meet the purpose for which it was delivered, and (b) that any details specific to this design will not be incorporated into other projects.
One design & maximum of two revisions, are included with the purchase of your project. Additional revisions are charged out at \$50.00 each.

SHOP DRAWING REVIEW

- OK - Proceed Manufacturing
- Revision(s) Required

Reviewed By (Signature): _____

Please review drawings carefully. Errors or omissions not marked at this stage of the review process are the responsibility of the client.

Date Signed: _____

CLIENT
Town of Morinville

PROJECT
Memorial Plaque(s)

SALES	DESIGN	DATE	REVISION	PAGE
kf	bt	Jul. 21, 2023	02	1 of 3

OFFICE USE ONLY:
To Design:
To Production:
Estimate Ref:

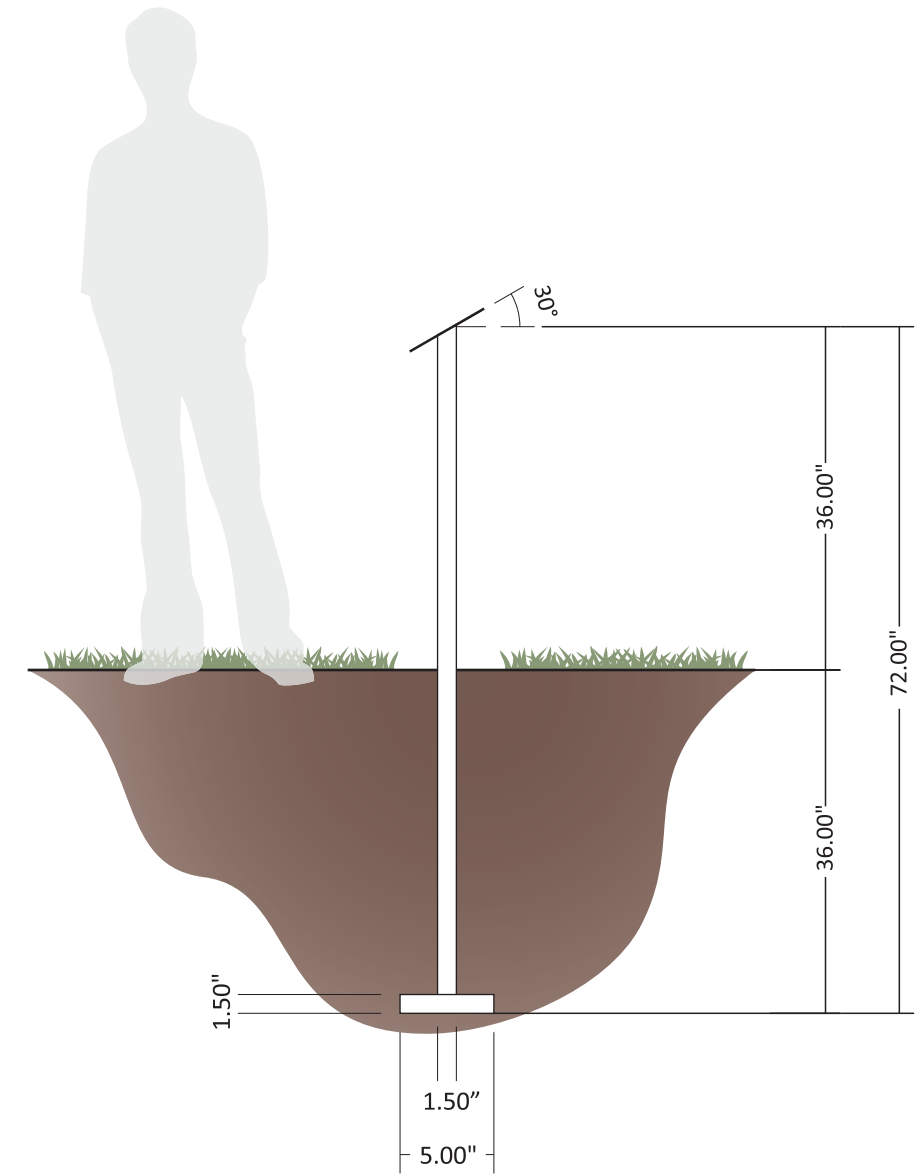
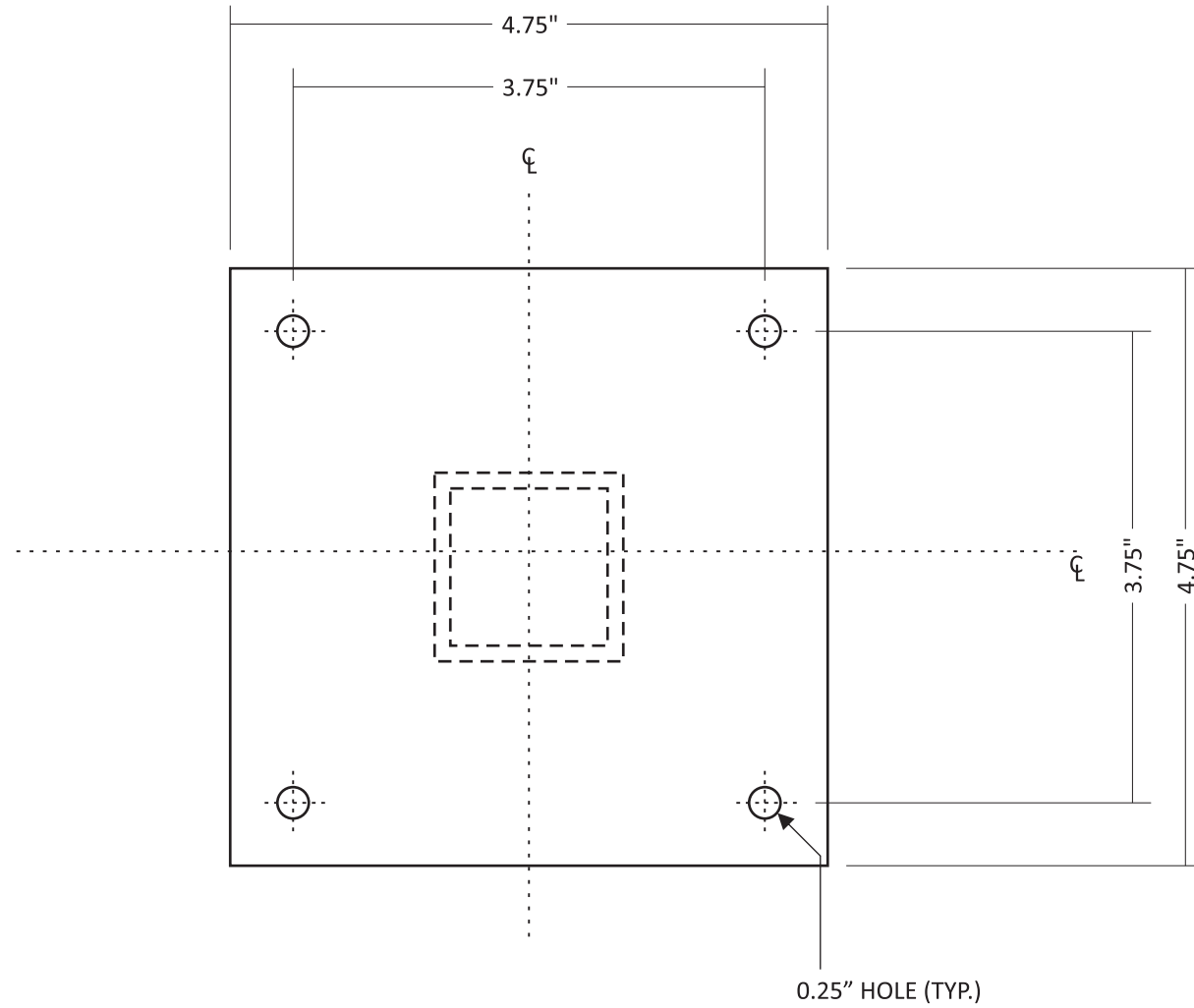
FILE NAME

043197.cdr

Memorial Tree Plaque with Plaque Stand

ITEM 3 PLAQUE STAND

- 1.50" x 1.50" x 0.125" Steel Tube
- Security T-Bar welded to bottom of tube
- (x4) 0.25" Plaque Mounting Holes Pre-Drilled in Plate
- HOLE LOCATION CRITICAL**
- Painted 0070 Heritage Brown
- Qty: 1



Plaque Stand In Ground - Section View
1:1.5

Signage Elevation & Section SCALE 1:1.5



2207-91 Avenue NW
Edmonton, Alberta T6P 1L1
P. 780-464-5177 F. 780-467-6516
www.behrendsgroup.com

© BEHRENDS BRONZE INC. These drawings involve confidential proprietary rights of Behrends Bronze Inc. and all design, manufacturing, reproductions, use and sale rights regarding the same are expressly reserved. These drawings are submitted under confidentiality for a specified purpose and the recipient. By accepting this document, the recipient assumes custody and agrees (a) that this document will not be copied or reproduced in whole or in part, nor its contents revealed, in any manner, or to any person, except to meet the purpose for which it was delivered, and (b) that any details specific to this design will not be incorporated into other projects.
One design & maximum of two revisions, are included with the purchase of your project. Additional revisions are charged out at \$50.00 each.

SHOP DRAWING REVIEW

OK - Proceed Manufacturing

Revision(s) Required

Please review drawings carefully. Errors or omissions not marked at this stage of the review process are the responsibility of the client.

Reviewed By (Signature): _____ Date Signed: _____

CLIENT Town of Morinville	SALES kf	DESIGN bt	DATE Jul. 21, 2023	REVISION 02	PAGE 2 of 3
PROJECT Memorial Plaque(s)	OFFICE USE ONLY: To Design: To Production: Estimate Ref:				FILE NAME 043197.cdr